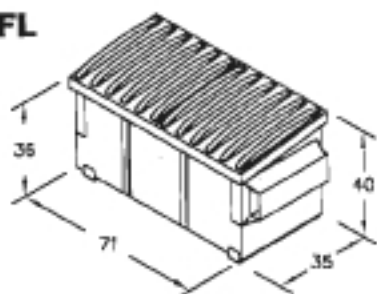
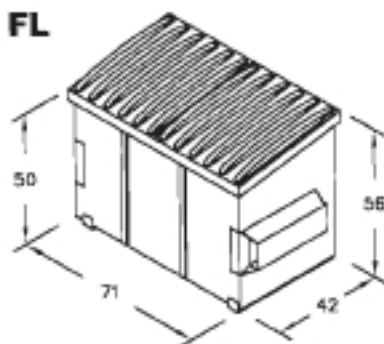
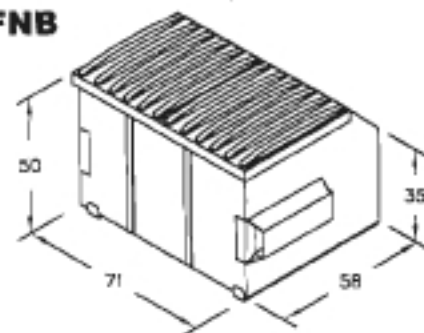
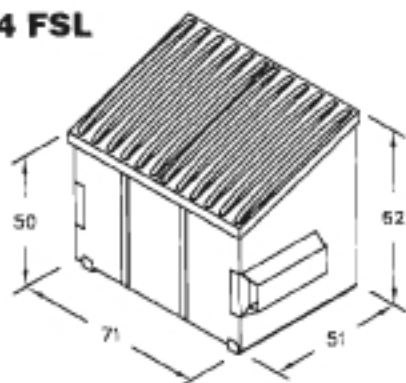
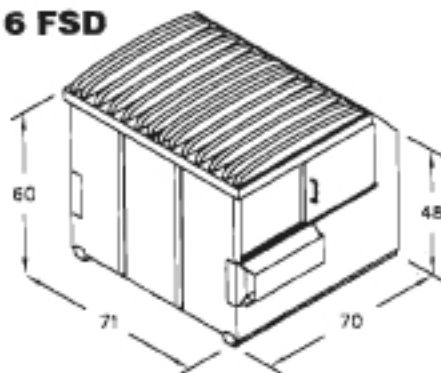
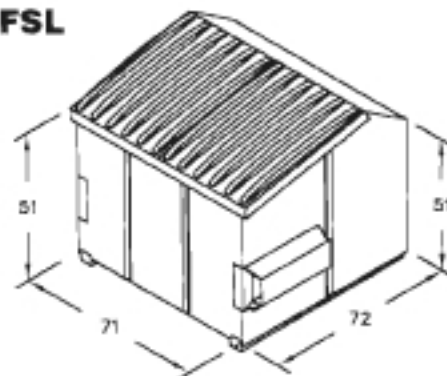
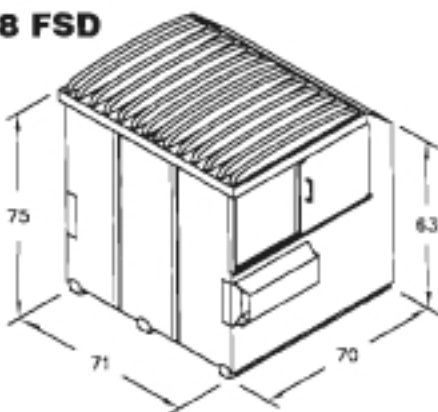
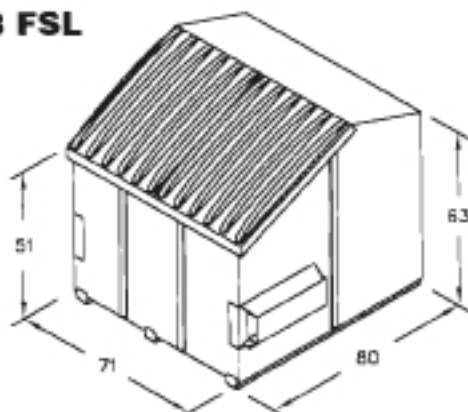
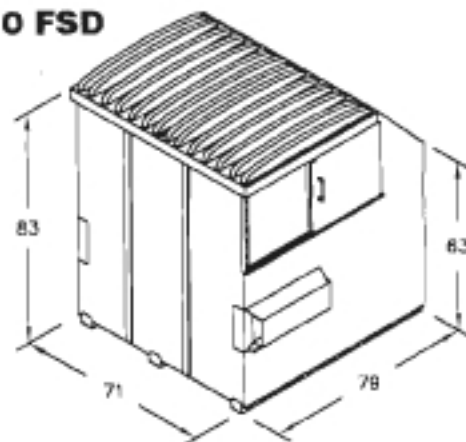


**2 FL****3 FL****4 FNB****4 FSL****6 FSD****6 FSL****8 FSD****8 FSL****10 FSD**

## FRONT LOAD CONTAINER SPECIFICATIONS

10 GAUGE FLOOR  
 12 GAUGE SIDES  
 10 GAUGE INTERLOCKING RAILS  
 7 GAUGE CAPPED SKIDS  
 1 INCH THREADED DRAIN HOLE  
 PLASTIC LIDS  
 WATERTIGHT SEAMS  
 RUST PREVENTIVE PAINT  
 MEETS ALL FEDERAL SAFETY SPECIFICATIONS  
 CASTERS AND PADS AVAILABLE ON 2-4 YARD

### SHIP WEIGHT (LBS)

2 YARD	486
3 YARD	669
4 YARD NOTCH BACK	764
4 YARD SLANT	762
6 YARD SIDE DOOR	960
6 YARD SLANT	953
8 YARD SIDE DOOR	1125
8 YARD SLANT	1133
10 YARD SIDE DOOR	1280