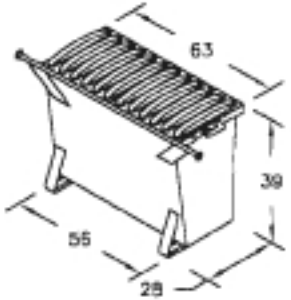
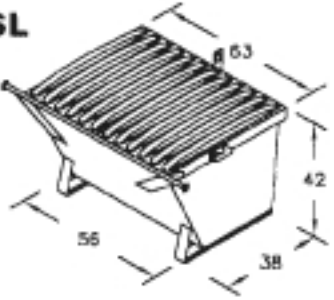
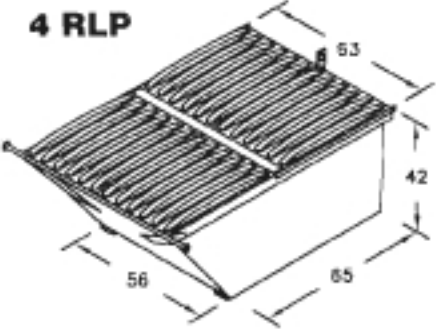
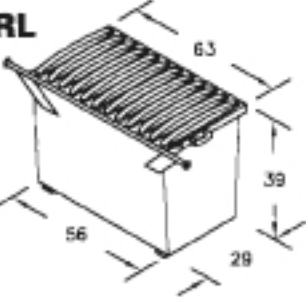
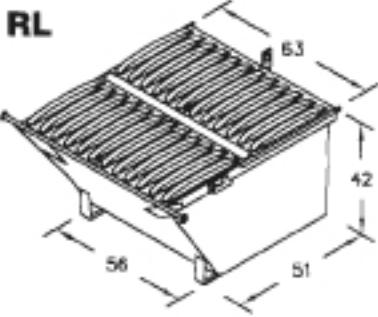
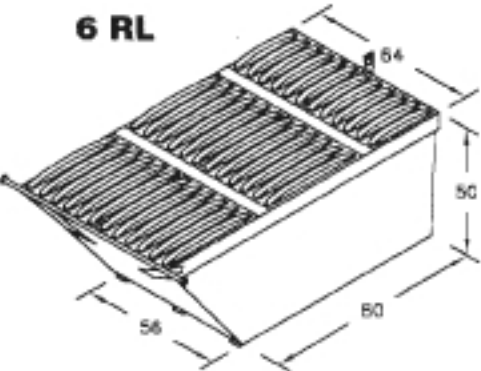
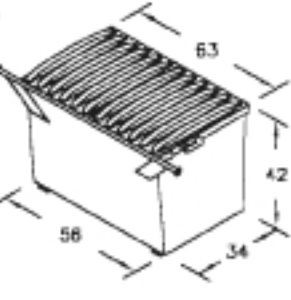
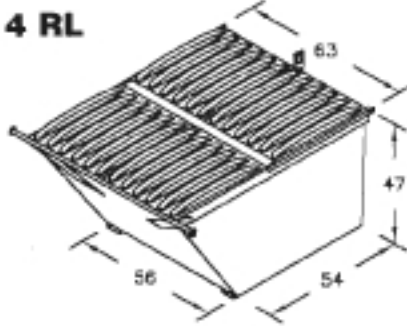
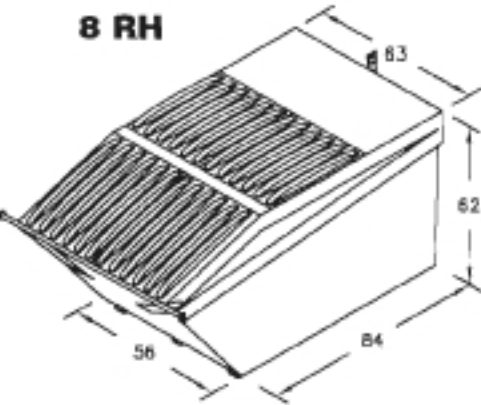
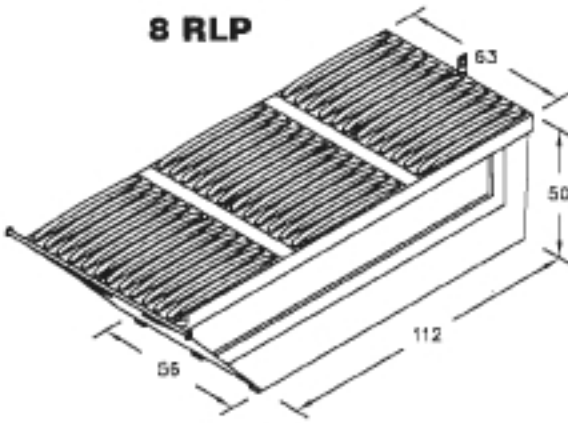


1 RL**2 RSL****4 RLP****1 1/2 RL****3 RL****6 RL****2 RST****4 RL****8 RH****8 RLP**

REAR LOAD CONTAINER SPECIFICATIONS

- 12 GAUGE STEEL BODY
- 10 GAUGE BOTTOM SKIDS
- 10 GAUGE TOP RAILS
- 1 1/2 INCH TRUNNION BAR 77 1/2" & 84" LENGTHS
- 1 INCH THREADED DRAIN HOLE
- REINFORCED REAR OVERHEAD HOOK
- SWINGING LID FRAME ON TWO YARD SLOPE & UP
- PLASTIC LIDS
- 6 x 2 SWIVEL CASTERS ON 1 THRU 3 & 4 LOW PRO
- WATERTIGHT SEAMS
- RUST PREVENTIVE PAINT
- MEETS ALL FEDERAL SAFETY SPECIFICATIONS