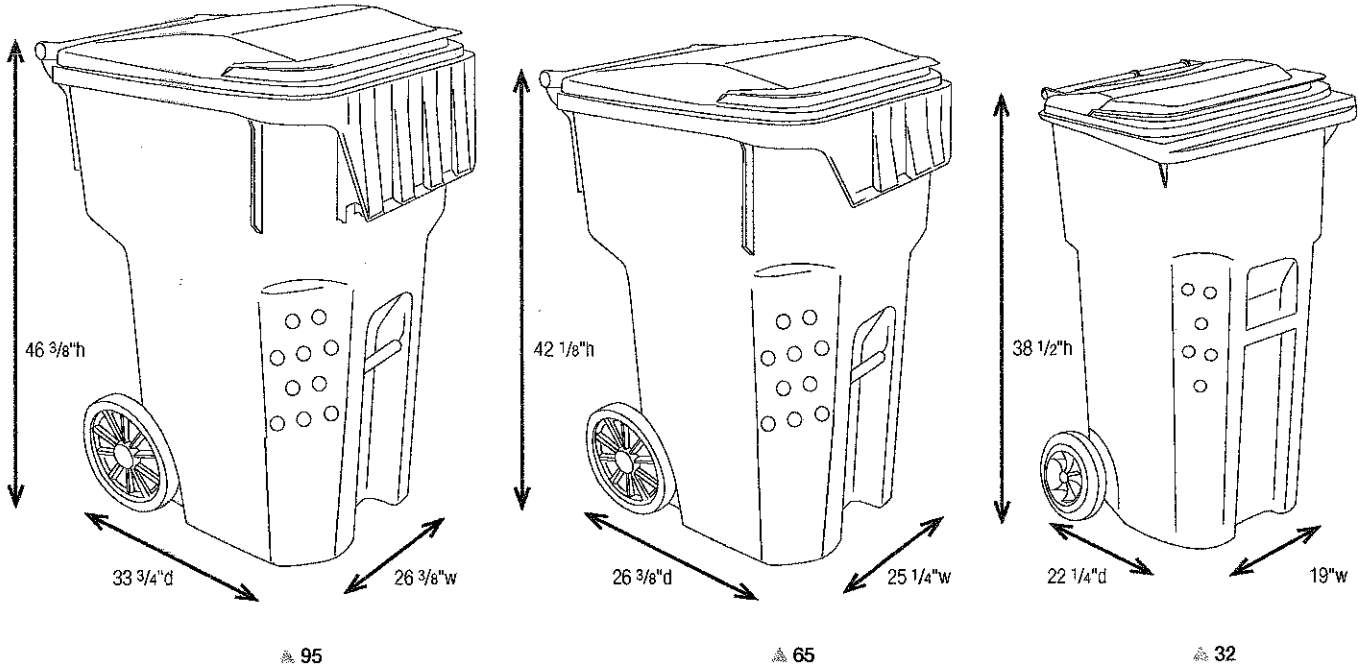


Classic Roll-Out Cart

Measurements reflect maximum dimensions for each respective cart size.



▼ Cart Specifications

MODEL	HEIGHT	WIDTH	DEPTH	LOAD RATING*
95 GAL. C	46 3/8"	26 3/8"	33 3/4"	340 LBS.
65 GAL. C	42 1/8"	25 1/4"	26 3/8"	230 LBS.
32 GAL. C	38 1/2"	19"	22 1/4"	120 LBS.

Cart specifications vary slightly based on product mold. *A.N.S.I. maximum load rating is 3.5 lbs. per gallon.

▼ Shipping Information

MODEL	ASSEMBLY WEIGHT	STACKING	T/L QTY (53' TRUCK)	LTL STACKING	LTL MAX. QTY
95 GAL. C	43 - 47 LBS.	6 - 7 HIGH	384 - 448	5 - 6 HIGH	90 - 108
65 GAL. C	36 - 40 LBS.	7 HIGH	588	6 HIGH	108
32 GAL. C	23 LBS.	10 HIGH	1110 - 1160	7 - 10 HIGH	126 - 200

Shipping information varies slightly based on product mold and mold location.

WCP/22500/4/16/07

kmG Hauling, Inc.

P.O. Box 650821, Potomac Falls, Virginia 20165
Tel. 703-961-1100 . Fax 703-961-1111

www.kmghauling.com . sales@kmghauling.com



kmG Going Green

Your waste is not trash.

*Depending on model, dimensions are subject to change