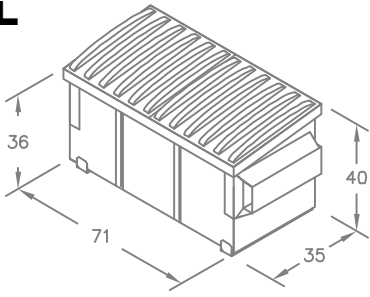
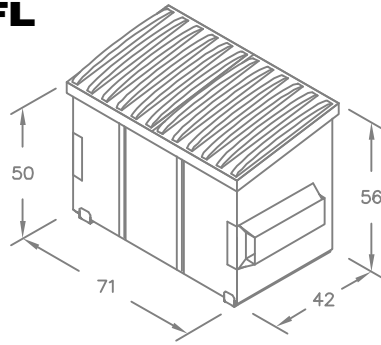
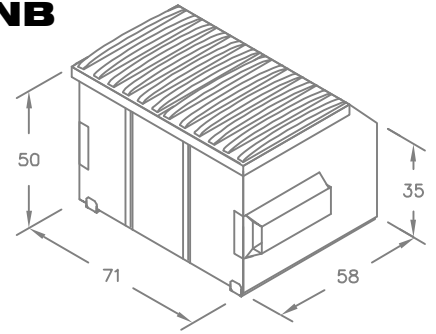
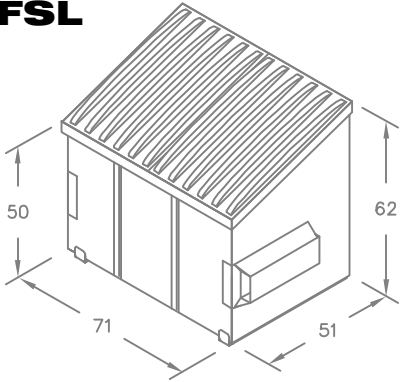
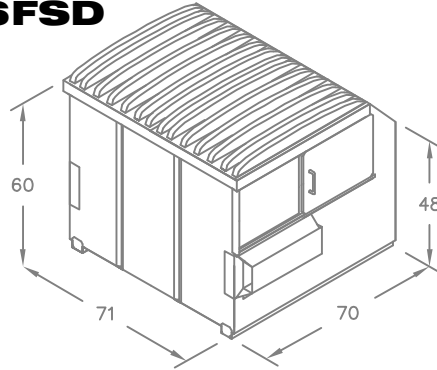
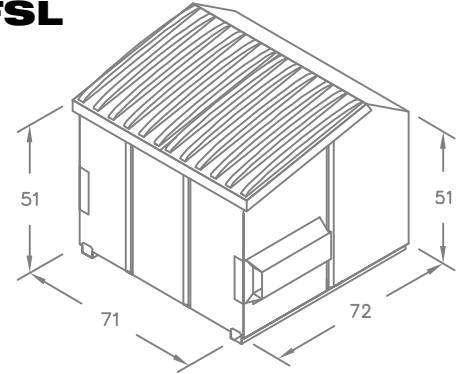
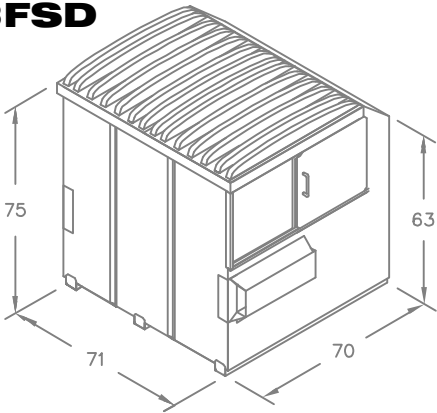
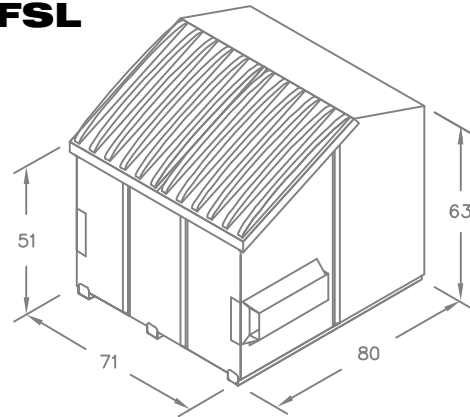
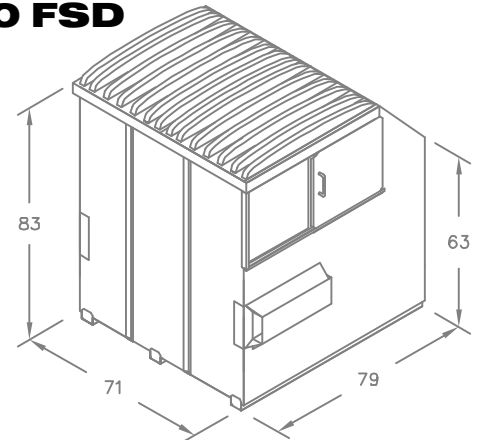


2FL**3FL****4FNB****4FSL****6FSD****6FSL****8FSD****8FSL****10 FSD**

FRONT LOAD CONTAINER SPECIFICATIONS

10 GAUGE FLOOR
 12 GAUGE SIDES
 10 GAUGE INTERLOCKING RAILS
 7 GAUGE CAPPED SKIDS
 1 INCH THREADED DRAIN HOLE
 PLASTIC LIDS
 WATERTIGHT SEAMS
 RUST PREVENTIVE PAINT
 MEETS ALL FEDERAL SAFETY SPECIFICATIONS
 CASTERS AND PADS AVAILABLE ON 2-4 YARD

SHIP WEIGHT (LBS)

2 YARD	486
3 YARD	669
4 YARD NOTCH BACK	764
4 YARD SLANT	762
6 YARD SIDE DOOR	960
6 YARD SLANT	953
8 YARD SIDE DOOR	1125
8 YARD SLANT	1133
10 YARD SIDE DOOR	1280



1264 FREDONIA ROAD
 P.O. BOX 157
 HADLEY, PA 16130

800-828-7860
 724-253-2038
 FAX 724-253-2509
www.valleycan.com