



Piian Mini Vaporizer System

All-Natural Odor Neutralizing Vapor System for Garbage Compactors, Trash Chutes and Trash Rooms

Operator Instruction Label

BASIC INFORMATION

- This system vaporizes an all natural odor neutralizer solution into odorous environments.
- Odor neutralizer solution is drawn out of a 5 Gallon pail located inside the lower cabinet.
- The odor neutralizer solution is vaporized via a tube on the top of the vaporizer cabinet.
- Once started, the vaporizer system cycles **ON** and **OFF** automatically.

SYSTEM INSTALLATION AND START-UP

- The vaporizer should be mounted on a wall, bracket or other surface. An optional free standing pedestal (Part # MMFP0001) is available if required.
- Mounting tabs are supplied for wall mounting the unit. The mounting tabs are installed backwards on the rear of the unit for shipment, reverse each tab and use anchors to secure the unit to a wall surface.
- Place a full pail of odor neutralizer solution into the lower cabinet; insert the siphon tube and return tube into the pail of odor neutralizer. The odor neutralizer solution is "Ready to Use" strength; no further dilution with water is required.
- Plug the system into any 115 vAC outlet (or 240 vAC if equipped). The control panel will beep to indicate power is on.
- The Piian Mini Vaporizer may be installed to discharge into the open environment around the odor source.
- To convey the vaporized odor neutralizer into a specific location (duct, container, chute etc), run a 1 1/2" diameter flexible hose from the outlet on top of the vaporizer to treatment location. Attach the hose to the vaporizer by pushing one end over the vaporizer's outlet. A duct adapter is available to connect the hose to the side of air ducts / chutes etc.
- **IMPORTANT:** To avoid the "pooling" of liquid inside the tube, support the tube throughout its run.
- For trash chutes, open compactors or trash storage areas, the vaporizer may be mounted in close proximity to the odor source.

SYSTEM OPERATION

- Pressing the **MANUAL** button for three seconds sets the mini vaporizer to run momentarily. (For Testing Only)
- Pressing the **SYSTEM ON / OFF** button operates the vaporizer in Automatic Cycle mode.
- The system is preprogrammed at the factory to run 25 seconds ON, then remain OFF of 30 minutes. This is normally sufficient for most installations and will make the 5 gallon pail last over 1 year.
- If necessary, the **TIME OFF** and **TIME ON** can be adjusted by pressed the **INCREASE** or **DECREASE** buttons to the left and right sides of the display. **This allows you to easily adjust the cycle to better address your particular odor control situation.**
- If the **SOLUTION LEVEL** LED is Green then the vaporizer odor neutralizer solution level is good.
- If the **SOLUTION LEVEL** LED is Yellow then the vaporizer odor neutralizer solution level is low.
- If the **SOLUTION LEVEL** LED is Red and a beeper sounds, then the vaporizer system is empty. Press the **ALARM CLEAR** button to silence the beeper.
- The unit will remember the previous program settings in the event of a power lose.
- The Vaporizer will automatically stop operating at temperatures below 40 Deg F and the **LOW TEMP SHUT OFF** LED will illuminate. The vaporizer will automatically restart once the temperature rises above 40 Deg F. Adjust the low temperature setting if you need to operate the system in freezing conditions.

REFILLING THE SYSTEM

- When the 5-gallon pail of odor neutralizer solution is empty a beep will sound. Press the **ALARM CLEAR** button.
- Open the lower cabinet door, remove the empty pail. As you are taking the pail out, carefully remove the siphon hose from the pail.
- Place a full 5-gallon pail of odor neutralizer solution (Part # PNCC0501) back in to the cabinet; carefully reinsert the siphon hose back into the pail opening. Close the cabinet door.
- To restart the vaporizer, press the **SYSTEM ON / OFF** button.

WARNING

- This vaporizer system is designed to dispense approved Piian odor neutralizer solution only, (Part# PNCC0501). Other odor neutralizing solutions may not be compatible with this vaporizer system. Use of incompatible materials will void all warranties.
- Do not add anything to the odor neutralizer solution, including antifreeze or fragrances. These materials are incompatible with the odor neutralizer solution and this vaporizer unit. Addition of such materials will void all warranties.
- Piian Systems is not responsible for dispersion of toxic, flammable, corrosive or other hazardous materials from this system

WARRANTY

- The system is supplied with a standard One Year Warranty.
- Lifetime Warranty Option - we will extend the warranty by one year for each 5 Gallon Pail of Piian Odor Neutralizer purchased, provided Piian Odor Neutralizer is the only material ever used in the system.

For Lifetime System Warranty - Use only Piian Odor Neutralizer in this System, Refill Part # PNCC0105

For help, service or to order refills, please contact, Piian Systems Tel (888) 677-3646 www.piiansystems.com



Piian Mini Vaporizer System

All-Natural Odor Neutralizing Vapor System for Garbage Compactors, Trash Chutes and Trash Rooms

Large Self Contained Compactor Installation

Piian Mini Vaporizer Odor Neutralizing System Installed onto Self-Contained Compactor

1 1/2" Diameter Hard Piping Installed on to Compactor Dog House.

1 1/2" Diameter Flexible Tube Connects Vaporizer To Hard Piping On Compactor.

Installation Kit Part# MMPU0003

Flexible Tubing Conveys Odor Neutralizing Vapor To The Inside Of The Compactor.

Odor Neutralizing Vapor Builds Up Inside Compactor.

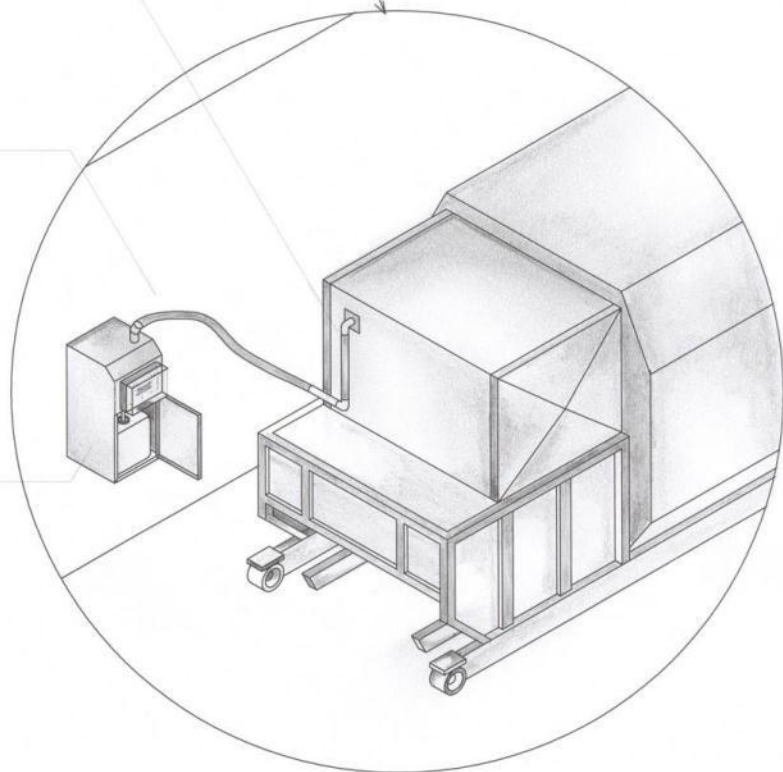
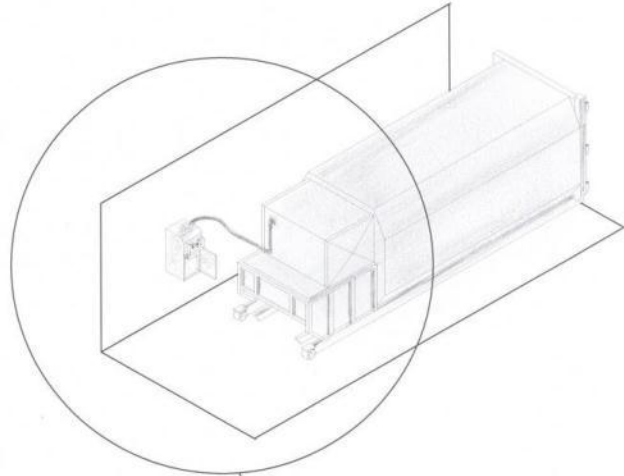
Flexible Tube Disconnected From Compactor Before Hauling By Truck Driver

Piian Mini Vaporizer Mounted To Wall Surface Beside Compactor (may be mounted to back of power pack etc)

Mini Vaporizer Part# MMPU0001

Piian Mini Vaporizer Generates a Odor Neutralizing Vapor.

Piian Odor Neutralizer Part # PNCC0105





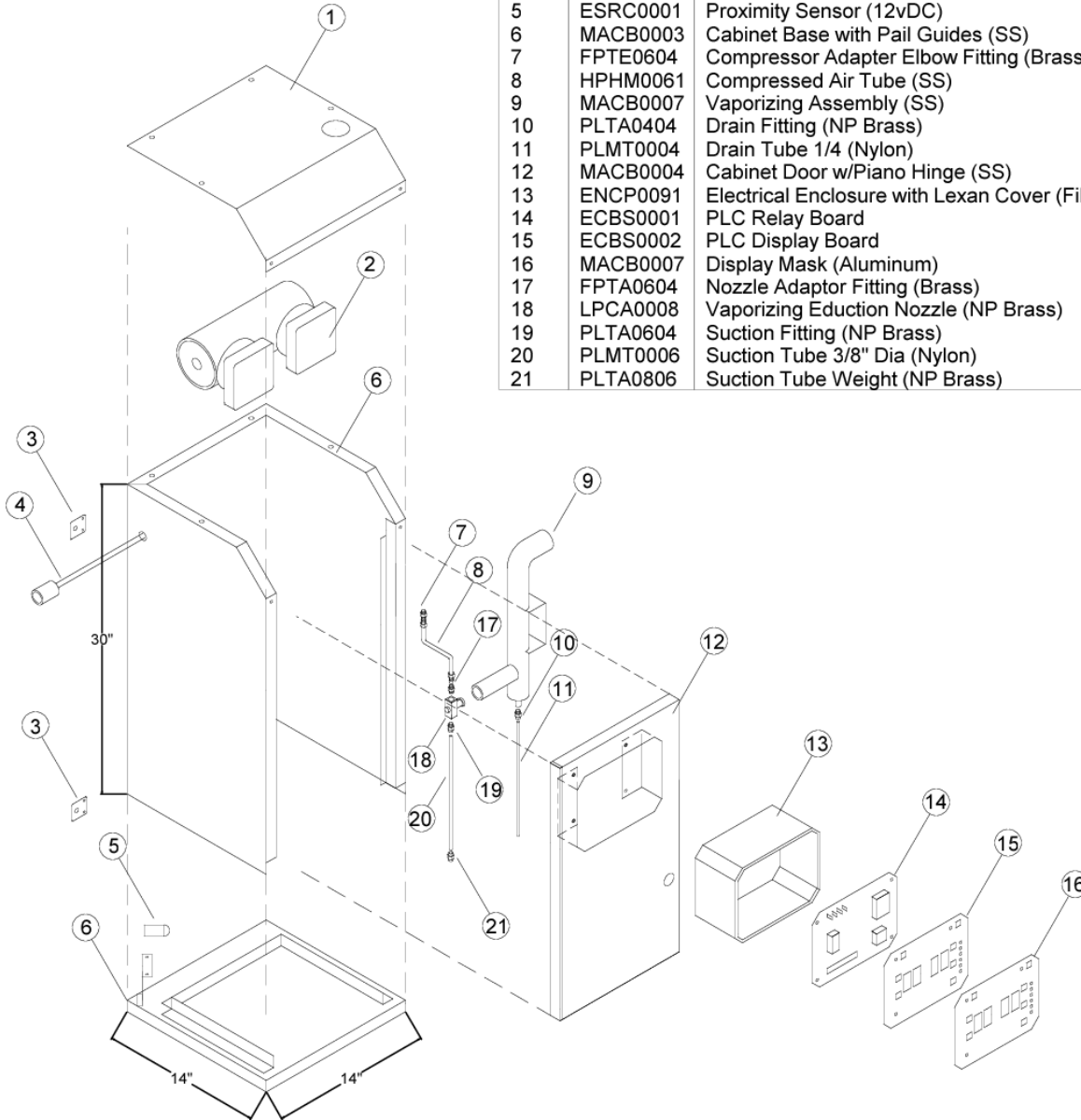
Piian Mini Vaporizer System

All-Natural Odor Neutralizing Vapor System for Garbage Compactors, Trash Chutes and Trash Rooms

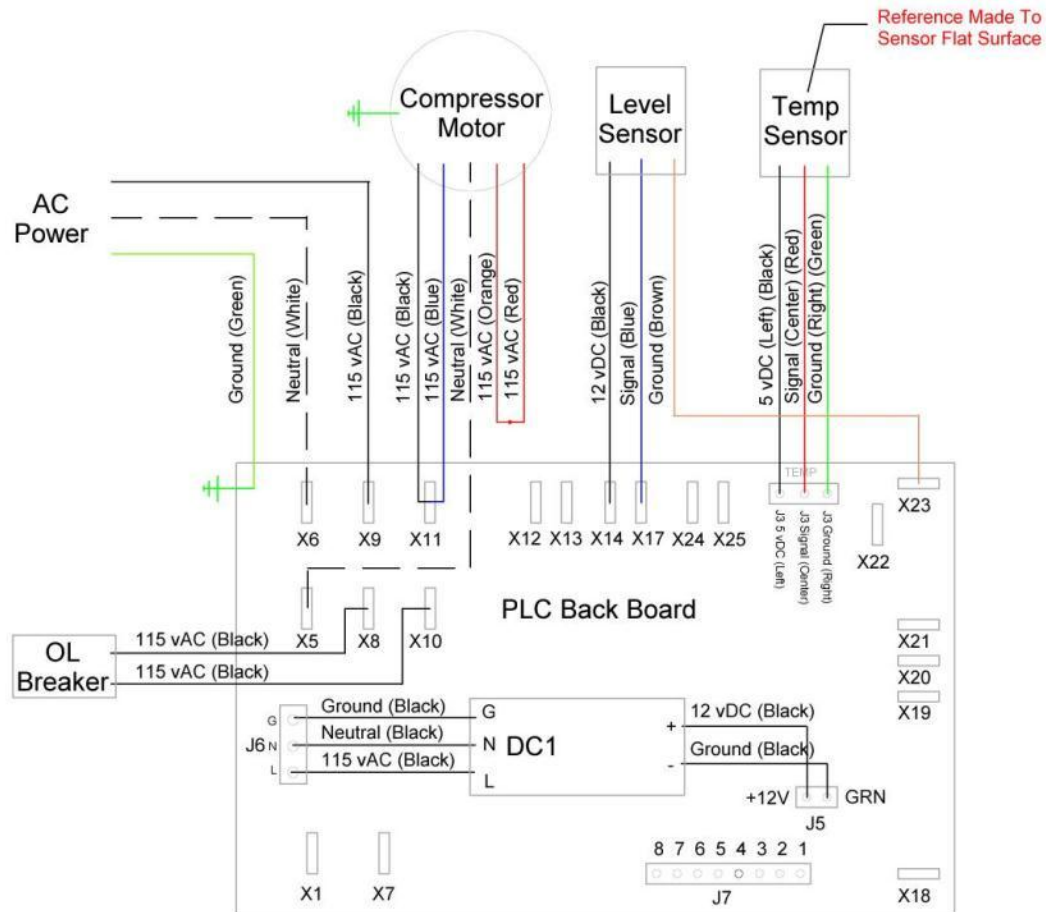
Parts Schematic

Parts Schematic

Item	Part #	Description
1	MACB0002	Cabinet Lid (SS)
2	ACTF0115	Air Compressor Twin Piston - 115 vAC/60Hz
2	ACTF0230	Air Compressor Twin Piston - 240vAC/50Hz
3	MACB0009	Reversible Mounting Tab (SS)
4	PPCV0115	Power Cord
5	ESRC0001	Proximity Sensor (12vDC)
6	MACB0003	Cabinet Base with Pail Guides (SS)
7	FPTE0604	Compressor Adapter Elbow Fitting (Brass)
8	HPHM0061	Compressed Air Tube (SS)
9	MACB0007	Vaporizing Assembly (SS)
10	PLTA0404	Drain Fitting (NP Brass)
11	PLMT0004	Drain Tube 1/4 (Nylon)
12	MACB0004	Cabinet Door w/Piano Hinge (SS)
13	ENCP0091	Electrical Enclosure with Lexan Cover (Fiber-Polyester)
14	ECBS0001	PLC Relay Board
15	ECBS0002	PLC Display Board
16	MACB0007	Display Mask (Aluminum)
17	FPTA0604	Nozzle Adaptor Fitting (Brass)
18	LPCA0008	Vaporizing Eduction Nozzle (NP Brass)
19	PLTA0604	Suction Fitting (NP Brass)
20	PLMT0006	Suction Tube 3/8" Dia (Nylon)
21	PLTA0806	Suction Tube Weight (NP Brass)



Piian Mini Vaporizer - Electrical Connections and Default PLC Register Values



DEFAULT REGISTER VALUES

P0 = Display, Remaining Run Time
 P1 = Display, Environment Temperature
 P2 = Display, Motor Current
 P3 = Display, Level Remaining After Low
 P4 = 0, Motor Test
 P5 = 99, Max Current
 P6 = 5, Time Over Max Current
 P7 = 2, Temperature Input Type
 P8 = 40, Low Temperature Setting
 P9 = 5, Type of Level Test
 PA = 40, Time Before Level Error
 PB = 45, Time Before Current Error
 PC = 48, Time Before Level Out
 PD = 3, Motor Delay
 PE = 30, Manual Motor On Time in Seconds, 0=Constant
 PF = 0, 0 is ON=Seconds, OFF=Minutes. 1 is ON=Minutes, OFF=Minutes

TO CHANGE REGISTER VALUES

Press and hold Alarm Clear Button For 5 Seconds until left hand display reads P0
 Use left hand Increase / Decrease buttons to cycle through registers.
 Use right hand Increase / Decrease buttons to change register values.
 Press and hold Alarm Clear Button For 5 Seconds to leave programming mode.

Manufactured By:
 Piian Systems, Palm Springs, California, www.piian.com